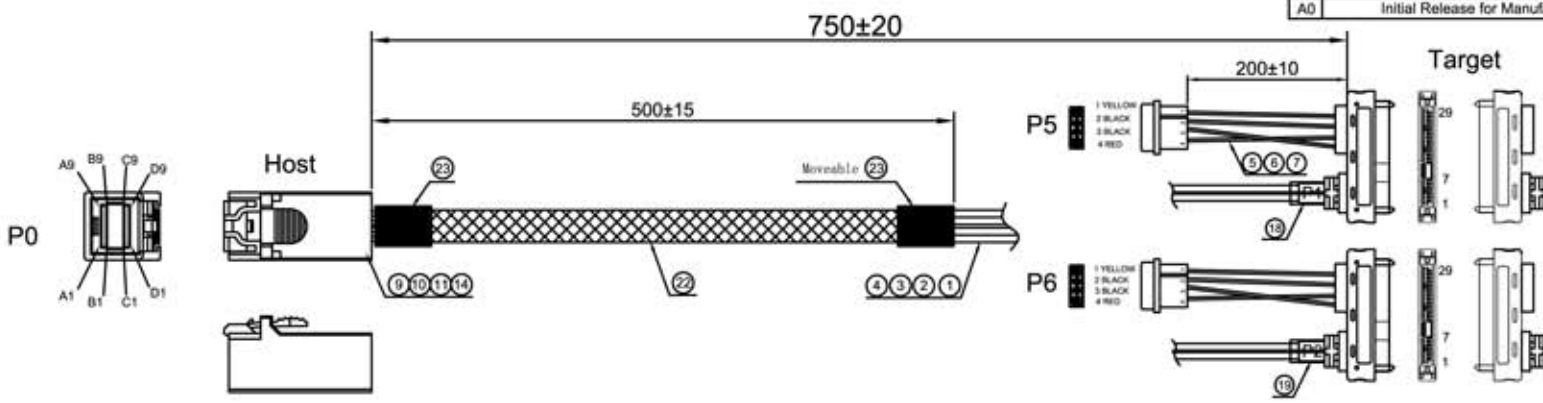


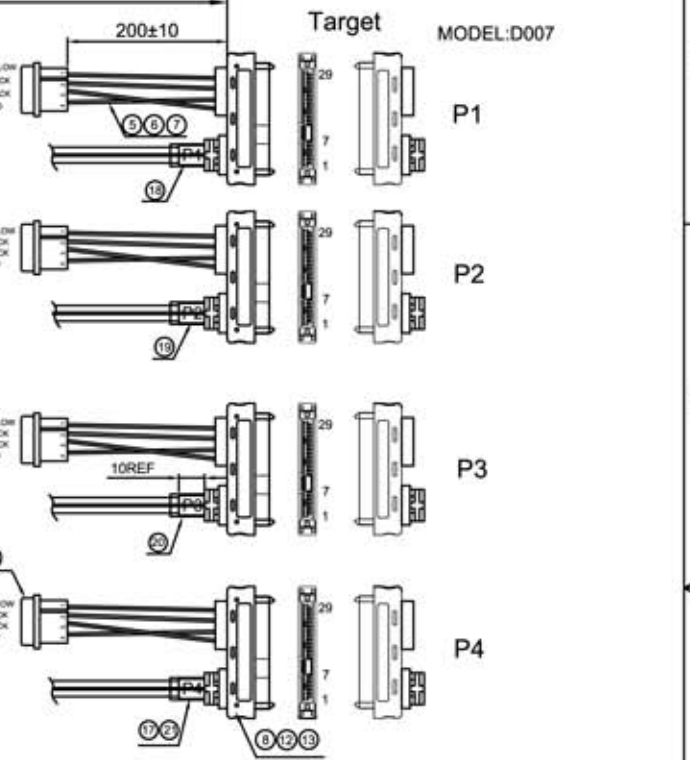
PART NO.	MD-6703168
----------	------------

REVISIONS			
LTR	DESCRIPTION	DATE	APPROVED
A0	Initial Release for Manufacture	July.04.14	Tony



TEST:
 1.OPEN / SHORT 100% TEST.
 2.CONTACT RESISTANCE : 1.0Ω(MAX).
 3. INSULATION RESISTANCE : 20MΩ (MIN).
 4.HI-POT : DC 300V /0.01S.

23	4-20-0062-002001	ACETATE TAPE BLACK W=20mm	50.0*2	mm
22	4-15-0044-001001	NYLON BRAID W=10.0MM <BLACK> 1*72	520	mm
21	4-22-0091-3007P4	LABEL: "P4" Translucent bottom black words	1	PCS
20	4-22-0050-3007P3	LABEL: "P3" Translucent bottom black words	1	PCS
19	4-22-0049-3007P2	LABEL: "P2" Translucent bottom black words	1	PCS
18	4-22-0048-3007P1	LABEL: "P1" Translucent bottom black words	1	PCS
17	4-15-0039-100201	Heat shrink tube OD:5.0mm Transparent	15.0*4	mm
16	4-19-A264-508104	JYC C5081T0B-2 Terminal 20~24AWG	16	PCS
15	4-19-B263-508104	JYC 5081 Housing 1*4P Nylon66 WHITE	4	PCS
14	3-03-0004-005001	PBT BLACK	6	G
13	3-02-0001-532151	PE	12	G
12	3-01-0033-005001	PVC 50P BK	24	G
11	2-70-0018-011501	HD MINI SAS 36P SHELL 180°	1	PCS
10	2-70-0019-011502	HD MINI SAS 36P PCB/CD	1	PCS
9	2-70-0016-011501	HD MINI SAS 36P PCB/AB	1	PCS
8	2-66-A023-001501	SAS 29/F CONTACT GOLD PLATED 15u",H.S PA9T BLACK	4	PCS
7	1-57-0083-610203	UL1007 22 AWG RED	215.0*4	mm
6	1-57-0007-610205	UL1007 22 AWG YELLOW	215.0*4	mm
5	1-57-0081-610201	UL1007 22 AWG BLACK	215.0*8	mm
4	1-61-0052-200251	2C*30#+2D+AL-MYLAR+THERMOPLASTIC-MYLAR BLUE 04 (Non UL)	770.0*2	mm
3	1-61-0051-200251	2C*30#+2D+AL-MYLAR+THERMOPLASTIC-MYLAR BLUE 03 (Non UL)	770.0*2	mm
2	1-61-0050-200251	2C*30#+2D+AL-MYLAR+THERMOPLASTIC-MYLAR BLUE 02 (Non UL)	770.0*2	mm
1	1-61-0049-200251	2C*30#+2D+AL-MYLAR+THERMOPLASTIC-MYLAR BLUE 01 (Non UL)	770.0*2	mm
NO.	PART NO.	DESCRIPTION	Q'TY	UNIT

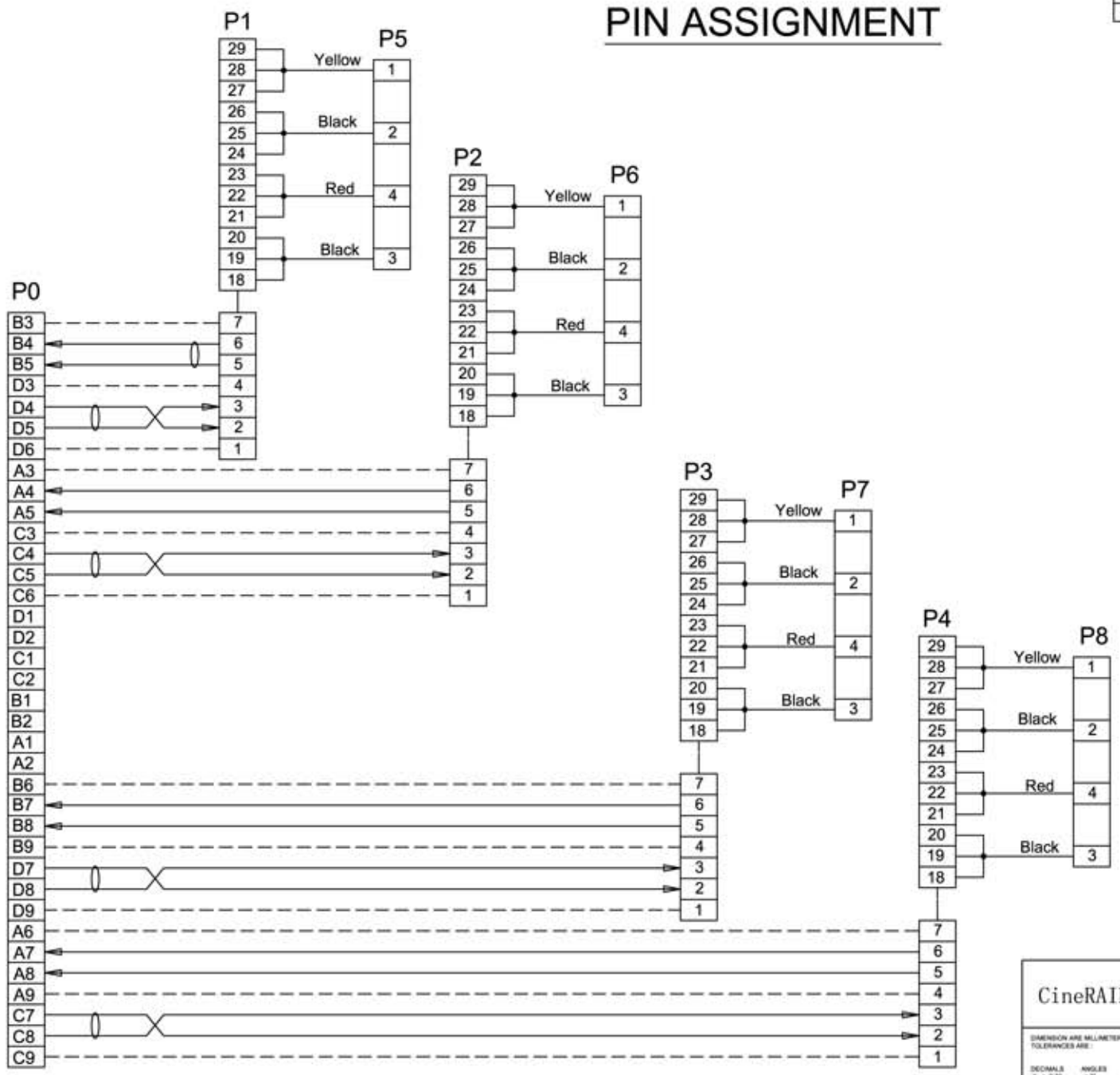


CineRAID	APPROVALS	DATE	CineRAID Systems		
	Xiong chunhui	July.04.14	HD MINI SAS 36P TO 4x (SAS 29P/F+POWER 4P) CABLE 0.75m		
	Zeng wei	July.04.14	SIZE	SCALE :	DRAWING NO.
Zeng wei	July.04.14	REV.	C	XX : XX	6703168
DO NOT SCALE DRAWING		ID NO.	SHEET 1 OF 2		

PIN ASSIGNMENT

PART NO. MD-6703168

REVISIONS			
LTR	DESCRIPTION	DATE	APPROVED
A0	Initial Release for Manufacture	July 04, 14	Tony



CineRAID	APPROVALS	DATE	CineRAID Systems		
	DRAWN Xiong.chunhui	July 04.14	HD MINI SAS 36P TO 4x (SAS 29P/F+POWER 4P) CABLE 0.75m		
CHECKED Zeng.wei	July 04.14	SIZE			
<small>DIMENSION ARE MILLIMETERS TOLERANCES ARE:</small>	APPROVAL Zeng.wei	July 04.14	C	XX : XX	6703168
<small>DECIMALS ANGLES X ± 0.20 °P XX ± 0.25</small>	DO NOT SCALE DRAWING		ID NO.		REV. A0
					SHEET 2 OF 2