

## NOTE:

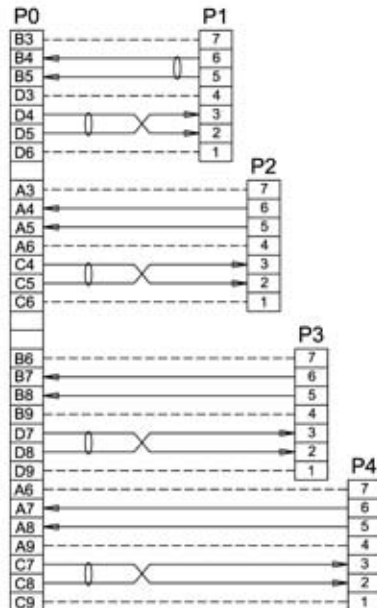
- 100% TEST OPEN SHORT
- INSULATION RESISTANCE: 10M ohm(MIN)
- CONDUCTOR RESISTANCE: 2 ohm (MAX)
- HI POT TEST :300V AC/10ms

24	4-21-0062-000001	capacitance	1	PCS
23	4-21-0061-000001	IC	1	PCS
22	4-15-0044-001001	NYLON BRAID W=10.0MM BLACK 1*72	530.0	mm
21	4-20-0062-002001	ACETATE TAPE BLACK W=20mm	50.0	mm
20	4-22-0091-3007P4	LABEL: "P4" Translucent bottom black words	1	PCS
19	4-22-0050-3007P3	LABEL: "P3" Translucent bottom black words	1	PCS
18	4-22-0049-3007P2	LABEL: "P2" Translucent bottom black words	1	PCS
17	4-22-0048-3007P1	LABEL: "P1" Translucent bottom black words	1	PCS
16	4-15-0039-100201	Heat shrink tube OD:5.0mm Transparent	15.0*4	mm
15	4-20-0063-001001	ACETATE TAPE BLACK W=10mm	200.0	mm
14	4-12-0068-013013	EXT.HD MINI SAS CONDUCTIVE FOAM	1	PCS
13	4-12-0065-U30400	EXT.HD MINI SAS LATCH	1	PCS
12	3-02-0001-532151	PE	16	G
11	3-01-0033-005001	PVC 50P BLACK (UL94V-0)	12	G
10	3-07-0001-006651	PA66	3	G
9	2-70-0020-011501	EXT.HD MINI SAS ZINC ALLOY SHELL NICKEL PLATED (RIGHT)	1	PCS
8	2-70-0021-011501	EXT.HD MINI SAS ZINC ALLOY SHELL NICKEL PLATED (LEFT)	1	PCS
7	2-70-0023-011501	EXT.HD MINI SAS PCB C/D	1	PCS
6	2-70-0022-011501	EXT.HD MINI SAS PCB A/B	1	PCS
5	2-61-A003-001501	SATA 7P/F Pin:Gold-plate 15u" 180° PBT BLACK	4	PCS
4	1-61-0052-200251	2C*30#*2D+AL-MYLAR+THERMOPLASTIC-MYLAR BLUE04(Non UL)	965.0*2	mm
3	1-61-0051-200251	2C*30#*2D+AL-MYLAR+THERMOPLASTIC-MYLAR BLUE03(Non UL)	965.0*2	mm
2	1-61-0050-200251	2C*30#*2D+AL-MYLAR+THERMOPLASTIC-MYLAR BLUE02(Non UL)	965.0*2	mm
1	1-61-0049-200251	2C*30#*2D+AL-MYLAR+THERMOPLASTIC-MYLAR BLUE01(Non UL)	965.0*2	mm

NO.	PART NO.	DESCRIPTION	QTY	UNIT
-----	----------	-------------	-----	------

REVISIONS			
LTR	DESCRIPTION	DATE	APPROVED
A0	Initial Release for Manufacture	Jun.11.14	Tony

## PIN ASSIGNMENT



CineRAID

DESIGNER: Chen Yongfu  
 CHECKER: Wang Wei  
 SPECIAL: Wang Wei  
 DATE: Jun.11.14  
 DATE: Jun.11.14  
 DATE: Jun.11.14

APPROVALS: [Signature]  
 DATE: Jun.11.14  
 SIZE: C  
 SCALE: XX:XX  
 (I) NO.:

CineRAID Systems

EXT HD MINI SAS TO 4x SATA 7P/F 180° CABLE 1M

DRAWING NO. 6703136  
 REV. A0  
 SHEET 1 OF 1